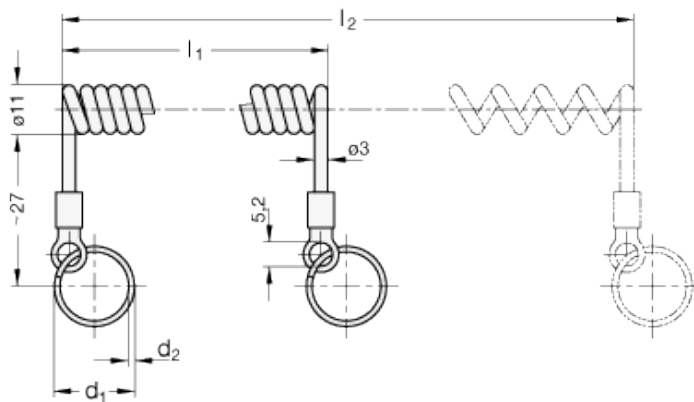


GN 111.4

Spiral retaining cables



technical informations

Spiral retaining cable

Copper wire with black plastic
PUR sheathed.

Fixing loop

Copper, tin-plated.

Ring

AISI 303 stainless steel.

Accessories on request

Single key rings are supplied with code no. GN 111.3-d1

Applications

Spiral retaining cables GN 111.4 are used in connection with low weight elements e. g. ball lock pins and pins with axial lock. They are distinguished for a large „usable length“.

The key rings are supplied unmounted. Both rings have the same $\varnothing d_1$.
 The load values given in the above table at shear stress are theoretically obtained and indicative only. They are non-binding recommended values and rule out any liability.

Instructions of use

1) Suitable for ball lock pins and pins with axial lock
 GN 113.1, GN 124
 $\varnothing 6, \varnothing 8$

GN 113.3, GN 113.4, GN 113.5, GN 113.6, GN 113.7, GN 113.8, GN 114.2, GN 114.3
 \varnothing all

2) Suitable for ball lock pins and pins with axial lock GN 124
 $\varnothing 10, \varnothing 12$

Standard Elements	Main dimensions				Static Load in N \approx		Weight g
	Description	$l_1 \pm 3$	d_1	$l_2 \text{ max. } \approx$	d_2	with key ring	
GN 111.4-50-14	50	14 ¹⁾	250	1	50	60	10
GN 111.4-50-18	50	18 ²⁾	250	1.3	60	60	10
GN 111.4-50-24	50	24	250	1.5	60	60	10
GN 111.4-100-14	100	14 ¹⁾	500	1	50	60	10
GN 111.4-100-18	100	18 ²⁾	500	1.3	60	60	15
GN 111.4-100-24	100	24	500	1.5	60	60	15
GN 111.4-200-14	200	14 ¹⁾	1000	1	50	60	15
GN 111.4-200-18	200	18 ²⁾	1000	1.3	60	60	15
GN 111.4-200-24	200	24	1000	1.5	60	60	18



STANDARD MACHINE ELEMENTS WORLDWIDE